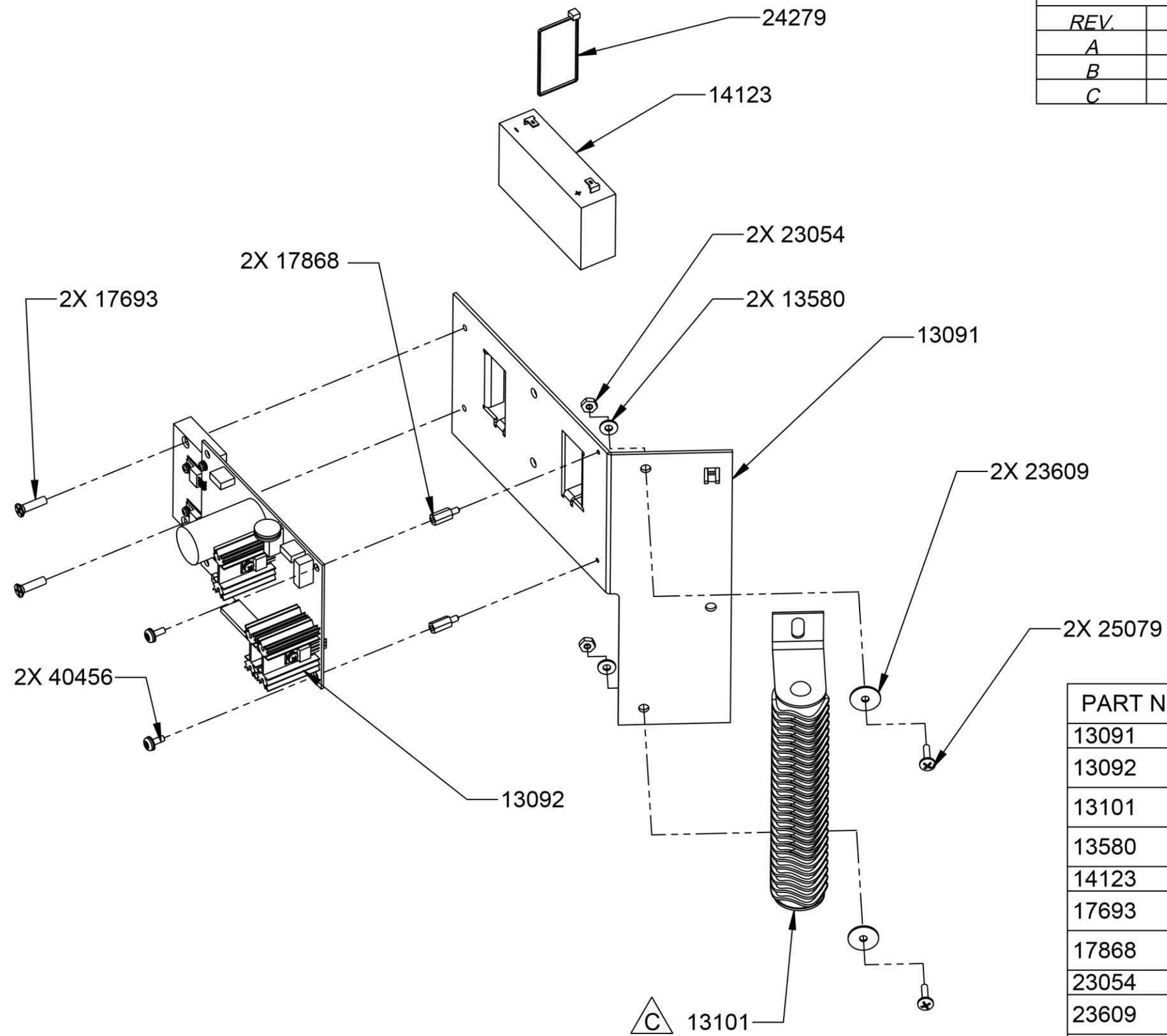


REVISIONS			
REV.	DESCRIPTION	DATE	DRAFTER
A	RELEASED PER ECO 07-0092007	05/08/07	MJ
B	REVISE PER ECO 07-0092013	6/7/07	MJ
C	REVISE PER ECO 07-0092042	10/29/2007	MJ



PART NO.	QTY	DESCRIPTION
13091	1	BRACKET, MOUNTING, PCB
13092	1	CIRCUIT BOARD ASSY
13101	1	ASSEMBLY, RESISTOR, ROHS
13580	2	WASHER, #8 SAE FLAT .188 ID .438 OD
14123	1	BATTERY, 6V
17693	2	SCREW, #10-32 X 0.75, FLAT HEAD, PHL
17868	2	STANDOFF, NYLON, #6-32 X 1/2"
23054	2	NUT, #8 - 32, NYLON INSERT
23609	2	WASHER, FLAT, #8 FENDER, .75 OD
24279	1	TYRAP, .14 X 11.0
25079	2	Screw, #8-32 X .625, PAN HEAD, PHILLIPS
40456	2	SCREW, #6-32 X .38, PAN HEAD, W/LOCK WASHER